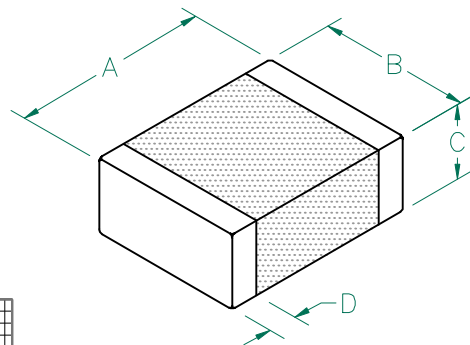


MI1210K600R-10

UNCONTROLLED DOCUMENT

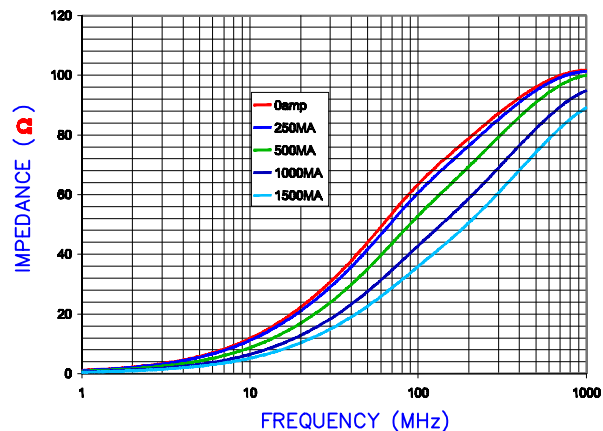
PHYSICAL DIMENSIONS:

A	3.20 [.126]	+ 0.20 [.008]
B	2.50 [.098]	+ 0.20 [.008]
C	1.40 [.055]	+ 0.20 [.008]
D	0.46 [.018]	+ 0.20 [.008]

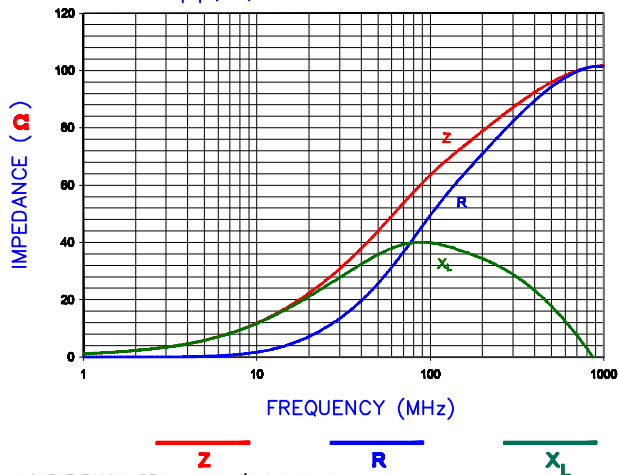


ELECTRICAL CHARACTERISTICS:			
Z @ 100MHz (Ω)	DCR (Ω)	Rated Current	
Nominal	60		
Minimum	45		
Maximum	75	0.035	1500 mA

Z vs FREQUENCY
IMPEDANCE UNDER DC BIAS



|Z|, R, AND X vs. FREQUENCY



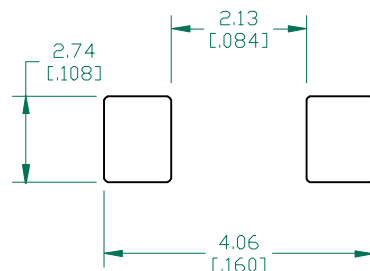
AGILENT E4991A RF Impedance/Material Analyzer
HP 16194A Test Fixture. TEST REF. 3124



NOTES: UNLESS OTHERWISE SPECIFIED

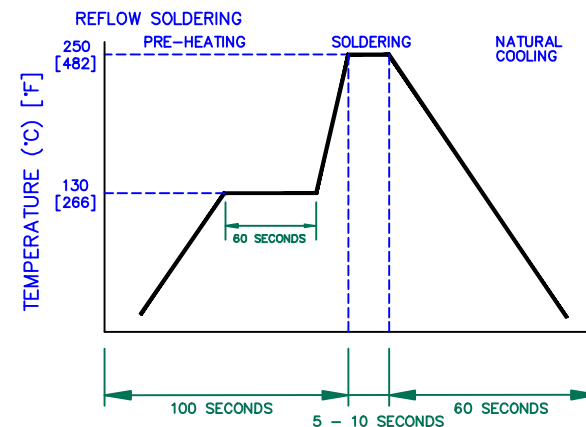
1. TAPED AND REELED per CURRENT EIA SPECIFICATIONS 7" REELS, 3000 PCS/REEL. EMBOSSED PLASTIC TAPE.
2. COMPONENTS SHOULD BE ADEQUATELY PREHEATED BEFORE SOLDERING.
3. TERMINATION FINISH IS 100% TIN.

LAND PATTERNS FOR REFLOW SOLDERING



(For wave soldering, add 0.762 (0.030) to this dimension)

RECOMMENDED SOLDERING CONDITIONS



DIMENSIONS ARE IN mm [INCHES]				This print is the property of Laird Tech. and is loaned in confidence subject to return upon request and with the understanding that no copies shall be made without the written consent of Laird Tech. All rights to design or invention are reserved.			
C	UPDATE COMPANY LOGO	08/26/08	JRK	PROJECT/PART NUMBER:	REV	PART TYPE:	DRAWN BY:
B	ADD ROHS SYMBOL; UPDATE TAPE NOTE; UPDATE COMPANY LOGO	08/31/07	JRK	MI1210K600R-10	C	CO-FIRE	JRK
A	ORIGINAL DRAFT	04/13/04	JRK	DATE:	SCALE:	NTS	SHEET:
REV	DESCRIPTION	DATE	INT	CAD #	TOOL #	-	2 of 2

